



KEY FEATURES

- Metal+Plastic Housing
- Up to 1920x1080@30fps
- S+265/H.265/H.264
- Min. illumination Color: 0.04Lux@F2.2
- Smart IR, IR Range: 30m
- Built-in Mic
- Operating Conditions -30°~60°, 0~95% RH
- POE, IP67
- Support motion detection



2MP Fixed Bullet Camera AFV-EB2AP-V2

Economic Series

SPECIFICATIONS

| Camera | |
|-------------------|---|
| Image Sensor | 1/3"CMOS |
| Min. Illumination | Color:0.04Lux@(F2.2, AGC ON),B/W:0Lux with IR |
| Shutter Time | 1s to 1/100,000s |
| Day & Night | IR Cut Filter with Auto Switch (ICR) |
| WDR | Digital WDR |
| S/N | >37dB |
| Angle Adjustment | 0-360°;0-80°;0-360° |

| Lens | |
|----------------|--|
| Lens Type | Fixed |
| Focal Length | 2.8mm |
| Lens Mount | M12 |
| Aperture Range | F2.2,Fixed |
| Field of View | 100°(H);53°(V);114°(D) |
| DORI Distance | Detect:40.0m Observe:15.9m Recognize:8.0m Identify:4.0m |



Illuminator

| | |
|-------------|-----------|
| IR LEDs | 2 |
| IR Distance | Up to 30m |
| Wavelength | 850nm |

Network

| | |
|----------------------|---|
| ANR | N/A |
| Protocols | HTTP;TCP/IP;UDP;ICMP; DHCP;DNS;NTP;IPv4; Telnet;Unicast |
| System Compatibility | onvif Profile S/T, |
| Remote Connection | 1 |
| Client | N/A |
| Web | IE,Firefox,Edge,Safari, Chrome |

Interface

| | |
|-------------------------|---|
| Communication Interface | 1 RJ45 10M/ 100M self adaptive Ethernet port |
| Built-In Mic | Yes |

Compression Standard

| | |
|---------------------|--------------------------------------|
| Video Compression | S+265/H.265/H.264B/ H.264M/H.264H |
| Video Bit Rate | 32k~4Mbps |
| Audio Compression | G.711A/G.711U |
| Audio Sampling Rate | 8kHz |

Feature

| | |
|-----------------|------------------|
| Alarm Trigger | Motion Detection |
| Video Analytics | N/A |

General

| | |
|-----------------------|---|
| Web Client Language | English |
| Operating Temperature | -30C - 60C |
| Operating Humidity | 0-95% |
| Storage Temperature | -30C - 60C |
| Storage Humidity | 0-95%(non-condensing) |
| Power Supply | POE,802.3af; MAX 6W |
| Protection | Surge protection 2000V; Lightning proof 6000V; IP67 |
| Boundary Dimensions | 164(L)73(W)73(H)mm |
| Package Dimensions | 180(L)90(W)95(H)mm |
| GrossWeight | 0.3kg |
| NetWeight | 0.22kg |



Image

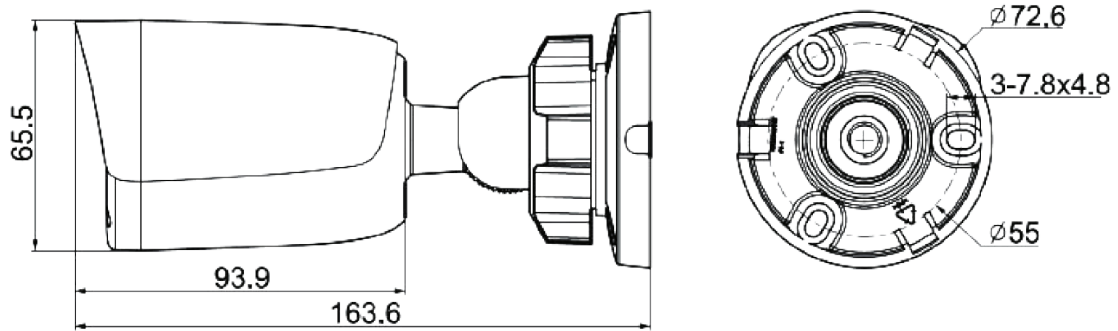
| | |
|-----------------|---|
| Max. Resolution | 1920x1080@30fps |
| Main Stream | PAL: 25fps(1920x1080, 1280x720,704x576, 640x480) NTSC: 30fps(1920x1080, 1280x720,704x480, 640x480) |
| Sub Stream | PAL: 25fps(704x576, 704x288,352x288, 640x360) NTSC: 30fps(704x480, 704x240,352x240, 640x360) |
| BLC | Yes |
| HLC | Yes |
| AGC | Yes |
| 3D DNR | Yes |
| White Balance | Auto/Semi-auto/Manual |
| OSD | 1region;16*16/32*32/ 48*48 |
| Privacy Mask | 4 regions |
| Defog | Yes |

* Listed resolutions are only selectable options. It does not mean that all streams can work at their maximum resolution at the same time.



**AVAILABLE MODEL
AFV-EB2AP-V2**

DIMENSIONS (Unit: mm)



DISTRIBUTED BY



TC-P54BM Spec:V5



A36



AFRA

Email: sales@afractiontech.com
Website: www.afractiontech.com

Tel: +971 55 39 73 643
+971 4 235 2333