



KEY FEATURES

- Full Metal Housing
- Up to 3840x2160@20fps
- S+265/H.265/H.264
- Min. illumination Color: 0.002Lux@F1.6
- Smart IR, IR Range: 30m
- Support tripwire,perimeter
- Support Human/Vehicle Classification
- Built-in Mic, SD Card Slot
- Operating Conditions -40°~65°, 0~95% RH
- POE, IP66



8MP Fixed EW Camera

AFV-PT8AM

Pro Series

SPECIFICATIONS

Camera	
Image Sensor	1/2.8"
Signal System	PAL/NTSC
Min. Illumination	Color:0.002Lux@(F1.6, AGC ON),B/W:0Lux with IR
Shutter Time	1s to 1/100,000s
Day & Night	Dual IR Cut Filter with Auto Switch
WDR	120dB
Angle Adjustment	0~340°,0~75°,0~360°

Lens	
Lens Type	Fixed
Focal Length	2.8mm
Lens Mount	M12
Aperture Range	F1.6
Field of View	Horizontal field of view: 105.3°; Vertical field of view: 56.9°; Diagonal field of view: 127.9°



Illuminator

IR LEDs	2
IR Distance	Up to 30m
Wavelength	850nm
White LEDs	2

Network

ANR	Yes
Protocols	HTTP,HTTPS,TCP/IP,UDP,UPnP,ICMP,IGMP,SNMP,DHCP,DNS,DDNS,Easy DDNS,NTP,SSL,802.1X,QoS,IPv4,IPv6,PPPOE,SSH,Unicast,Multicast,RTCP,ARP
System Compatibility	onvif Profile S/T/G,CGI,MILSTONE,RTMP
Remote Connection	2
Client	Easy7,EasyLive Plus
Web	IE,Firefox,Edge,Safari,Chrome

Interface

Communication Interface	1 RJ45 10M/ 100M self adaptive Ethernet port
Audio I/O	1/1
Alarm I/O	1/1
Built-in Mic	Yes
Built-In Speaker	Yes
Reset Button	N/A
On-board storage	Built-in MicroSD card slot, up to 512 GB

Compression Standard

Video Compression	S+ 265/H.264B/H.264M/H.264H/Motion JPEG
Video Bit Rate	32kbps~16Mbps
Audio Compression	G.711A/G.711U/ADPCM_D/AAC_LC
Audio Sampling Rate	8kHz/32kHz/48kHz

Feature

Alarm Trigger	Voltage Alarm,Disk Full, Disk R/W Error,IP Address Conflict,MAC Address Conflict,FTP Server Exception ,Event Input, Event Output,Motion Detection,Mask Alarm
Video Analytics	Human/Vehicle Classification,Tripwire, Perimeter

General

Web Client Language	18 languages English, Russian,Spanish, Korean, Italian,Turkish, Simple Chinese,Traditional Chinese,Thai,French, Polish,Dutch,Hebrew, Arabic,Vietnamese, German,Ukrainian, Portuguese
Operating Conditions	-40C~65C,0~95%RH
Power Supply	DC 12V, POE(802.3af)
Power Consumption	≤7W
Protection	IP66
Heater	N/A
Boundary Dimensions	117mmx117mmx84mm
Package Dimensions	138mmx138mmx110mm
GrossWeight	0.7kg
NetWeight	0.5kg



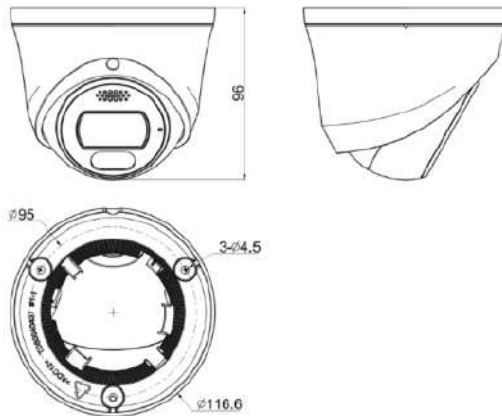
Image	
Max. Resolution	3840x2160
Main Stream	PAL:20fps(3840x2160, 3072x2048), 25fps (2560x1440, 2304x1296, 1920x1080, 1280x720) NTSC:20fps(3840x2160, 3072x2048), 30fps (2560x1440, 2304x1296, 1920x1080, 1280x720)
Sub Stream	PAL:25fps(704x576, 704x288, 352x288, 640x360) NTSC:30fps(704x480, 704x240, 352x240, 640x360)
Third Stream	PAL:25fps(704x576, 704x288, 352x288, 640x480) NTSC:30fps(704x480, 704x240, 352x240, 640x480)
Image Setting	Saturation, brightness, contrast, sharpness, adjustable by client software or web browser
Image Enhancement	BLC/3D DNR/HLC/AGC
ROI	Yes, 8 regions
OSD	16*16/32*32/48*48/64*64/96*96, adaptable size, Letters Such as Week, Date, Time, Total 5 Regions
Picture Overlay	Yes
Privacy Mask	Yes, 4 regions
Defog	Yes

* Listed resolutions are only selectable options. It does not mean that all streams can work at their maximum resolution at the same time.



AVAILABLE MODEL AFV-PT8AM

DIMENSIONS (Unit: mm)



ACCESSORIES



TC-P54BM SPEC:V5



A28 WALL MOUNT



AFRA

Email: sales@afractiontech.com
Website: www.afractiontech.com

Tel: +971 55 39 73 643
+971 4 235 2333